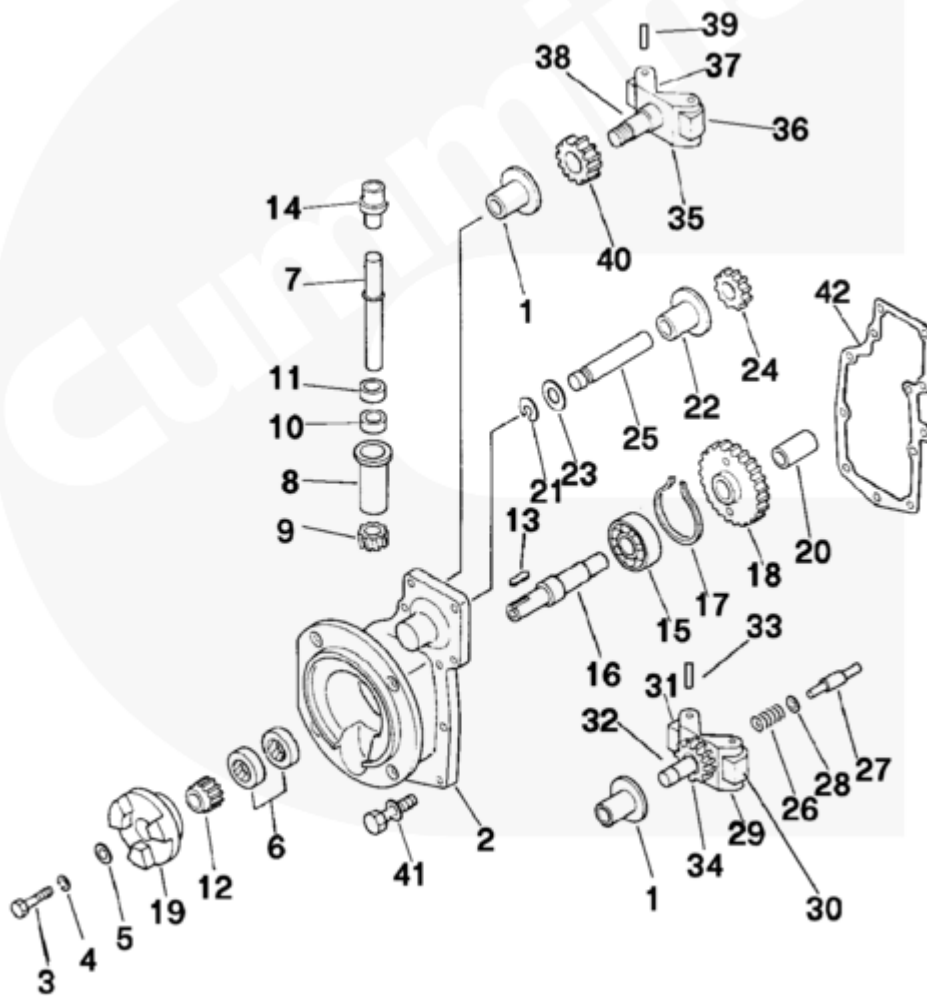




## Parts Catalog - Option Detail

Electronic Parts Catalog - Option Detail				
Option	Group	Graphic	Film Card	Date
FP6828	05.01.2	fp400gf	K38	08-SEP-93
<b>Engines</b>	GTA38, K38, KTA38GC CM558, QSK38 CM2150 K106, QSK38 CM2150 MCRS, QSK38 CM850 MCRS			

©Cummins Inc



fp400gf

[SMALL](#) | [MEDIUM](#) | [LARGE](#)

Cart	Ref No	Part Number	Part Description	Required	Remarks
View My Cart					
		FP6828	Fuel Pump Cover		

					PTG/VS front cover with tach
					drive. Use 3057816 hardware
					kit.
<input type="checkbox"/>		3279503	Fuel Pump Cover	1	
<input type="checkbox"/>	1	163944	Bushing	1	
	2	3079939	Fuel Pump Cover	1	
<input type="checkbox"/>	3	118226	Socket Head Cap Screw		#10 - 24 x 1 1/4 in.
<input type="checkbox"/>	4	S 607	Lock Washer	1	#10
<input type="checkbox"/>	5	103089	Plain Washer	1	1/8 in.
<input type="checkbox"/>	6	3062676	Oil Seal	2	
<input type="checkbox"/>		3015665	Tachometer Drive Shaft		
<input type="checkbox"/>	7	212607	Tachometer Drive Shaft	1	
<input type="checkbox"/>	8	212609	Tachometer Drive Bushing	1	
<input type="checkbox"/>	9	212610	Tachometer Drive Gear	1	
<input type="checkbox"/>	10	3004724	Seal Spacer	1	
<input type="checkbox"/>	11	212603	Oil Seal	1	
<input type="checkbox"/>	12	212602	Tachometer Drive Gear	1	
<input type="checkbox"/>	13	212668	Square Key	1	
<input type="checkbox"/>	14	3002110	Male Connector	1	
<input type="checkbox"/>		3028372	Main Drive Assembly		
<input type="checkbox"/>	15	S 16052	Ball Bearing	1	
<input type="checkbox"/>	16	212601	Fuel Pump Drive Shaft	1	
<input type="checkbox"/>	17	212604	Retaining Ring	1	
<input type="checkbox"/>	18	212605	Fuel Pump Gear	1	
<input type="checkbox"/>	19	212613	Jaw Coupling Hub	1	
<input type="checkbox"/>	20	212639	Spline Adapter	1	
<input type="checkbox"/>		AR40147	Idler Gear Shaft	1	
<input type="checkbox"/>	21	135169	Retaining Ring	1	
<input type="checkbox"/>	22	201010	Bushing	1	
<input type="checkbox"/>	23	201745	Thrust Ring	1	3/4 Inch.

	24	<a href="#">113244</a>	Idler Gear	1	
	25	<a href="#">201008</a>	Idler Shaft	1	
<input type="checkbox"/>	26	<a href="#">143855</a>	Compression Spring	1	
<input type="checkbox"/>	27	<a href="#">144178</a>	Governor Weight Assist Plunger	1	
<input type="checkbox"/>	28	<a href="#">144179</a>	Shim	7	
<input type="checkbox"/>	29	<a href="#">3024991</a>	Governor Weight Carrier		Recon equivalent 3024991 RX
<input type="checkbox"/>	30	<a href="#">146437</a>	Governor Weight	1	
<input type="checkbox"/>	31	<a href="#">3006550</a>	Governor Weight Carrier		
<input type="checkbox"/>	32	<a href="#">211633</a>	Governor Shaft	1	
<input type="checkbox"/>	33	<a href="#">211635</a>	Governor Weight Pin		
<input type="checkbox"/>	34	<a href="#">211636</a>	Governor Gear	1	
<input type="checkbox"/>	35	<a href="#">3024989</a>	Governor Weight Carrier		Recon Equivalent 3024989 RX
<input type="checkbox"/>	36	<a href="#">163826</a>	Governor Weight	1	
<input type="checkbox"/>	37	<a href="#">3006550</a>	Governor Weight Carrier		
<input type="checkbox"/>	38	<a href="#">211633</a>	Governor Shaft	1	
<input type="checkbox"/>	39	<a href="#">211635</a>	Governor Weight Pin		
<input type="checkbox"/>	40	<a href="#">211636</a>	Governor Gear	1	
<input type="checkbox"/>	41	<a href="#">3017051</a>	Captive Washer Cap Screw		1/4 - 20 X 1 1/8 in.
<input type="checkbox"/>	42	<a href="#">200998</a>	Fuel Pump Gasket		